



Main Features:-

- ◆ 3 Piece WCB Carbon Steel Body, Full Bore
- ◆ CF8 SS Ball, 304 Stainless Steel Stem
- ◆ 10135 Socket Weld, 10136 NPT, 10137 BSPP
- ◆ Rated 10 Bar, Temperature 200°C
- ◆ Firesafe Design

*Temperature and pressure determined by valve body, seat etc.

Suitable Applications & Approvals:



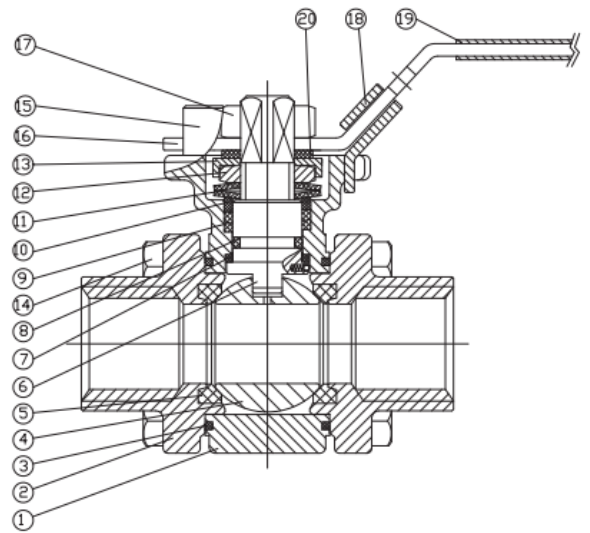
SERIES: 10135/10136/10137

MANUFACTURER: **AVOL**
INDUSTRIAL VALVES



VALVE DIMENSIONS

No	Name	Material
1	Body	WCB
2	Cap	WCB
3	Joint Gasket	Graphite
4	Ball	CF8
5	Seat	TFM1600
6	Stem	AISI 304
7	Thrust Washer	25% Carbon
8	O'Ring	Viton
9	Stem Packing	Graphite
10	Stem O'Ring	AISI 304
11	Belleville Washer	AISI 301
12	Stem Nut	AISI 304
13	Saddle Washer	AISI 304
14	Hex Bolt	AISI 304
15	Stop Pin	AISI 304
16	Handle	AISI 304
17	Handle Nut	AISI 304
18	Locking Device	AISI 304
19	Handle Cover	PVC
20	Square Washer	AISI 304



Size	CV	Nm
1/4"	6.4	4.8
3/8"	7.9	4.8
1/2"	11.2	7.4
3/4"	21	13.7
1"	34	20
1 1/4"	57	27
1 1/2"	80	35
2"	147	50
2 1/2"	265	70
3"	415	90
4"	780	120

ALL VALVES ONLINE

AllValves Online™ have used decades of experience in the valve industry to select a range of products that match the AllValves Online ethos - value for money. All Valves Products are from reputable sources and have been sold in significant quantities for many years, are installed in a wide variety of applications, and are known to be durable in service.



T +44 (0)1386 552369

E sales@allvalves.co.uk

W www.allvalves.co.uk

F +44 (0)1386 554227



BALL VALVES

ALLVALVES ONLINE

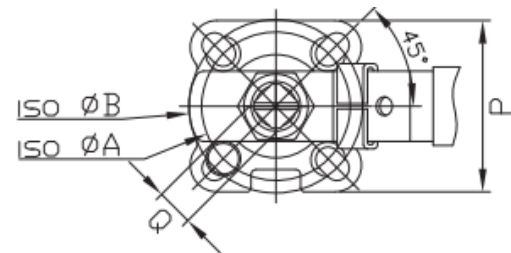
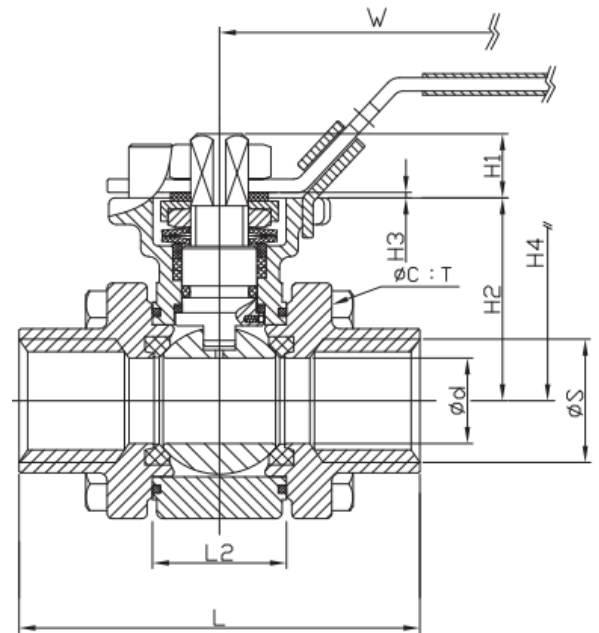
AVOL
INDUSTRIAL VALVES

AVOL valves are our range of industrial valves selected by our experienced technical sales team.

SERIES: 10135/10136/10137

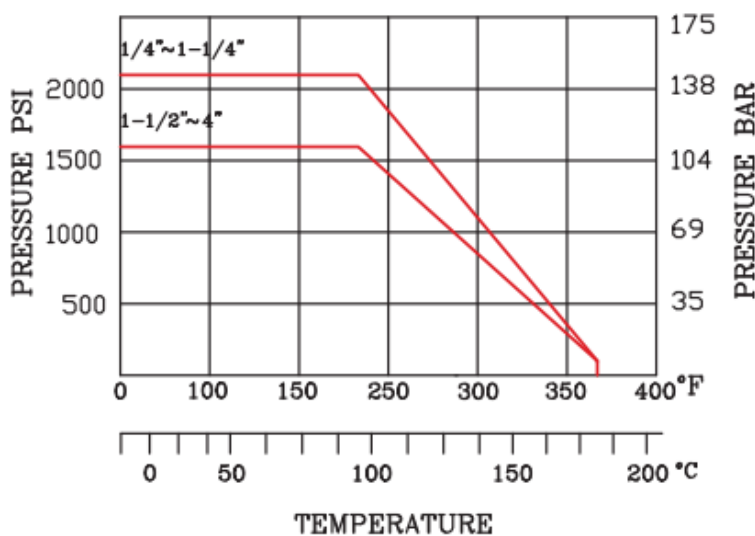
Size	Ød	L	L2	H1	H2	H3	H4	ØS*
1/4"	11	65	22.7	11	34	1 to 5	68	14.1
3/8"	12.7	65	22.7	11	34	1 to 5	68	17.6
1/2"	16	75	24	11	38	1 to 5	72	21.7
3/4"	20	80	28	14	43	1 to 5	79	27.1
1"	25	90	34	12	50	1 to 5	85	33.8
1 1/4"	32	110	44	12	55	1 to 5	88	44
1 1/2"	38	120	53	16	65	1 to 5	105	50
2"	50	140	65	16	75	1 to 5	114	61.5
2 1/2"	65	185	74.6	28	103	1 to 5	153	76.9
3"	80	205	87	28	113	1 to 5	165	89.8
4"	100	240	112.5	40	150	1 to 5	205	115.4

ALL VALVES ONLINE



Size	ØC	T	W	Kg	ISO ØA	ISO ØB	Q	P
1/4"	6.5	M6	117	0.52	F03	F03	9	36
3/8"	6.5	M6	117	0.55	F03	F03	9	36
1/2"	6.5	M6	117	0.64	F03	F04	9	41.5
3/4"	8.4	M8	127	0.95	F03	F04	11	41.5
1"	8.4	M8	170	1.34	F04	F05	11	50.4
1 1/4"	10.6	M10	170	2.25	F04	F05	11	50.4
1 1/2"	10.6	M10	182	3.63	F05	F07	14	66.5
2"	10.6	M10	182	5.979	F05	F07	14	66.5
2 1/2"	12.6	M12	333	11	F07	F10	17	90
3"	12.6	M12	333	14.2	F07	F10	17	90
4"	14.6	M14	333	28	F10	F12	22	113

Pressure/ Temperature Chart



ALL VALVES ONLINE

Offering a full range of actuated valve packages, manual valve range, pipe fittings and pumps, we have a product for all your requirements. As an ISO 9001-2015 Quality Approved and certified company, All Valves offer a quality service from pre-sale to post sale. Shipping millions of pounds in value of manual valve and actuated valve packages all over the world since its formation, All Valves are a trusted valve and actuator supplier to many companies all over the world. Working with the leading brands in most industries.

VALVE DIMENSIONS



T +44 (0)1386 552369

E sales@allvalves.co.uk

W www.allvalves.co.uk

F +44 (0)1386 554227